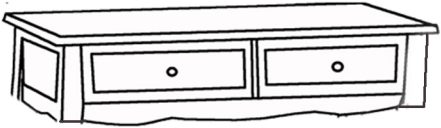



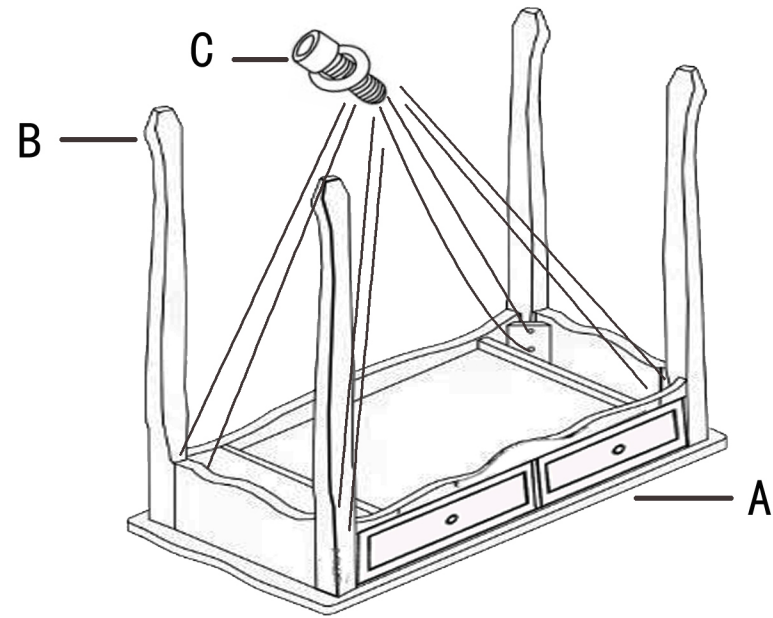


A		1 PC
B		4 PCS
C		8 PCS
D		1 PC

Assembly Manual



Step 1: Lay Part A with holes facing up on flat surface



Step 2: Parts B screw to Part A using Parts C and Part D